




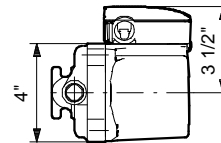
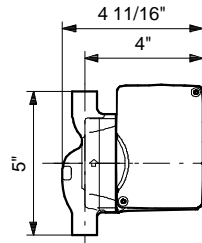
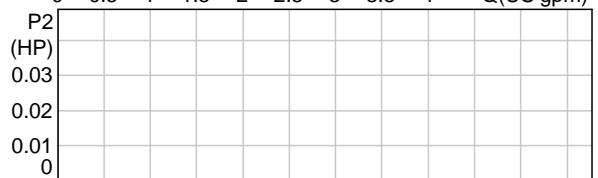
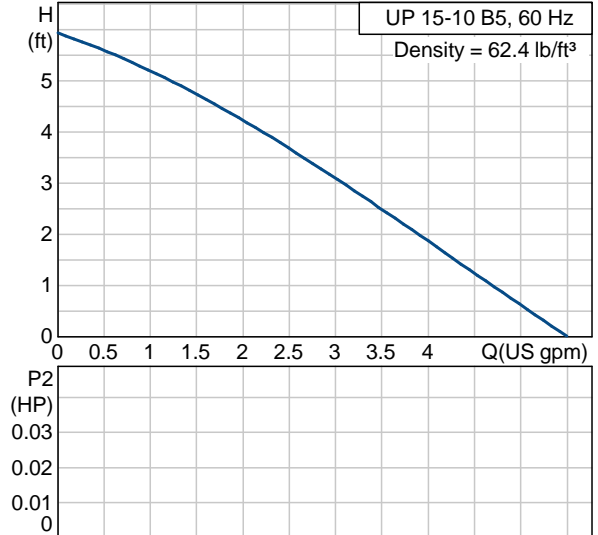
Position	Count	Description	Unit price
	-1	<p><b>UP 15-10 B5</b></p>  <p>Product photo could vary from the actual product</p> <p>Product No.: 59896213                      The pump is of the canned rotor type, i.e. pump and motor form an integral unit without shaft seal and with only two gaskets for sealing. The bearings are lubricated by the pumped liquid. The pump is characterized by:</p> <ul style="list-style-type: none"> <li>* Ceramic shaft and radial bearings.</li> <li>* Carbon axial bearing.</li> <li>* Stainless steel rotor can and bearing plate.</li> <li>* Corrosion-resistant impeller, Composite, PES.</li> <li>* Bronze pump housing.</li> </ul> <p>The motor is a 1-phase motor.                      No additional motor protection is required.</p> <p><b>Liquid:</b>                      Liquid temperature range: 35.6 .. 219.2 °F                      Density: 62.4 lb/ft³</p> <p><b>Technical:</b>                      Maximum operating pressure: 145 psi                      Approvals on nameplate: UL, CSA</p> <p><b>Materials:</b>                      Pump housing: Bronze                      DIN W.-Nr. 2.1176.01                      Impeller: Composite, PES</p> <p><b>Installation:</b>                      Maximum ambient temperature: 104 °F                      Ambient max at 176°F liquid: 176 °F                      Maximum operating pressure: 145 psi                      Flange standard: USA Sweat                      Type of connection: Bronze Sweat                      Pipe connection: 1/2" Sweat                      Pressure stage: 10                      Port-to-port length: 5 in</p> <p><b>Electrical data:</b></p>	On request



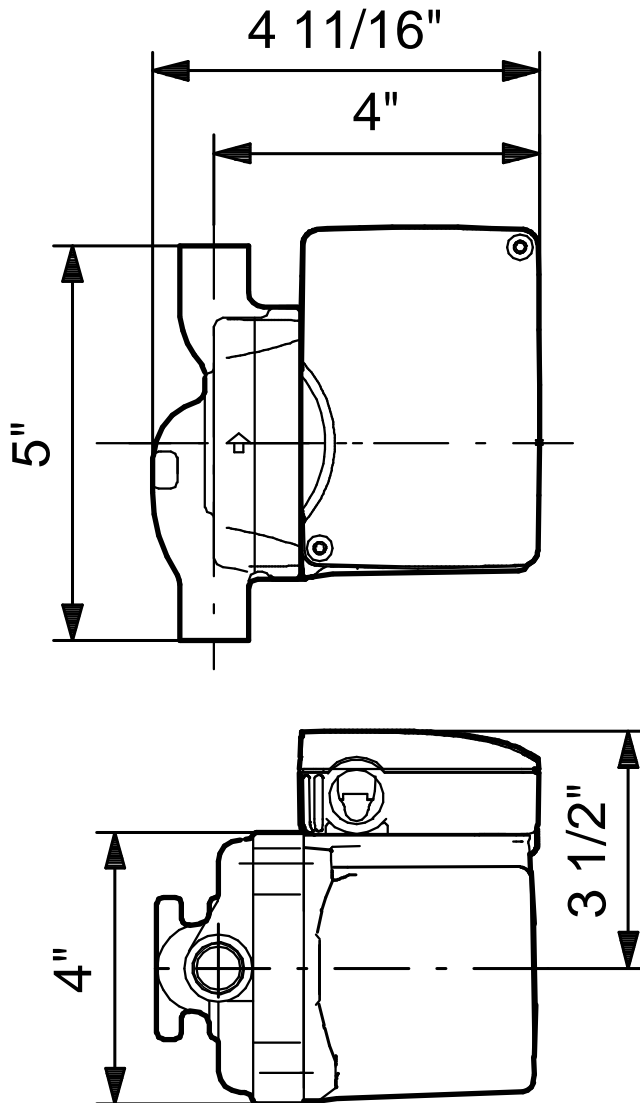
Company name: -  
Created by: -  
Phone: -  
Fax: -  
Date: -

Position	Count	Description	Unit price
		Number of poles: 2 Max. power input: 25 W Rated power - P2: 0.04 HP Main frequency: 60 Hz Rated voltage: 1 x 115 V Current in speed 3: 0.22 A Capacitor size - run: 2 $\mu$ F/400 V Insulation class (IEC 85): F	
		<b>Others:</b> Gross weight: 6 lb	

Description	Value
Product name:	UP 15-10 B5
Product Number:	59896213
EAN number:	5700392936387
<b>Technical:</b>	
Speed Number:	1
Max flow:	8.37 US gpm
Head max:	6.23 ft
Maximum operating pressure:	145 psi
Approvals on nameplate:	UL, CSA
<b>Materials:</b>	
Pump housing:	Bronze DIN W.-Nr. 2.1176.01
Impeller:	Composite, PES
<b>Installation:</b>	
Maximum ambient temperature:	104 °F
Ambient max at 176°F liquid:	176 °F
Maximum operating pressure:	145 psi
Flange standard:	USA Sweat
Type of connection:	Bronze Sweat
Pipe connection:	1/2" Sweat
Pressure stage:	10
Port-to-port length:	5 in
<b>Liquid:</b>	
Liquid temperature range:	35.6 .. 219.2 °F
Density:	62.4 lb/ft³
<b>Electrical data:</b>	
Number of poles:	2
Max. power input:	25 W
Rated power - P2:	0.04 HP
Main frequency:	60 Hz
Rated voltage:	1 x 115 V
Current in speed 3:	0.22 A
Capacitor size - run:	2 µF/400 V
Insulation class (IEC 85):	F
Motor protection:	CONTACT
Thermal protec:	internal
<b>Controls:</b>	
Pos term box:	9H
<b>Others:</b>	
Gross weight:	6 lb



59896213 UP 15-10 B5 60 Hz



Note! All units are in [mm] unless others are stated.  
Disclaimer: This simplified dimensional drawing does not show all details.